

The DO10-RE5 Power Output Card is designed to provide control of high voltage, high current loads through the ElectronFlux module.

**Features:**

- 15 individually controlled output channels.
- 10 DC Output Channels
- 5 SPDT Relay Output Channels

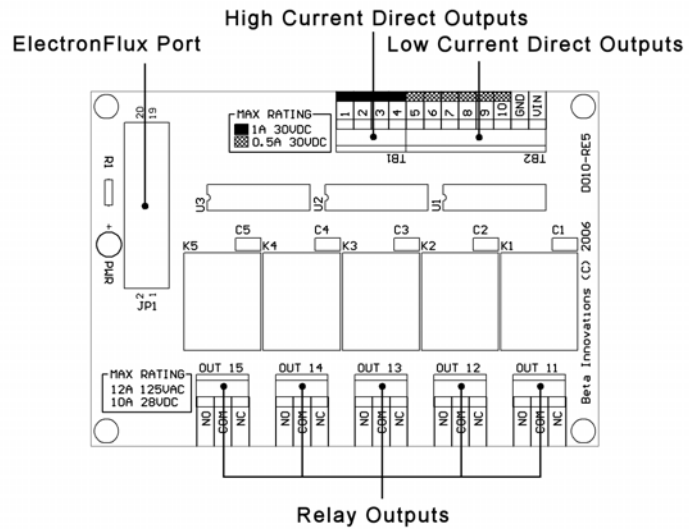


**Absolute Maximum Ratings:**

Channel	Max Rating per channel
1 - 4	1A @ 30 VDC
5 - 10	0.5A @ 30 VDC
11 – 15 (Relays)	
Resistive Load	7A 250 VAC 12A 125 VAC 10A 28 VDC
Inductive Load	3A 125 VAC

**Application:**

The DO10-RE5 easily adds control of VAC lights, DC lamps, magnetic switches, and even heavy AC loads such as motors to the ElectronFlux module.



Visit [www.betainnovations.com](http://www.betainnovations.com) for the availability of expansion modules and accessories.