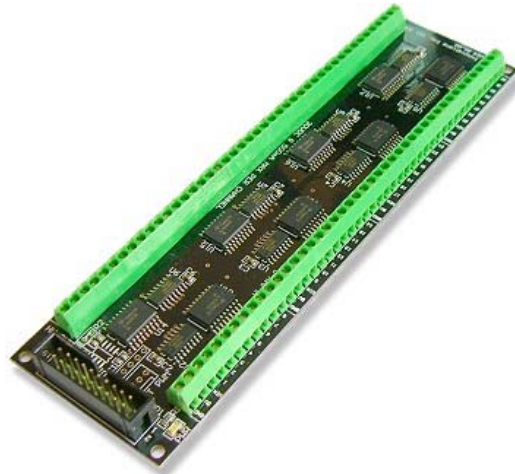


The LO-HV64 Latched Power Output Card is designed to provide control of high voltage, high current loads through the ElectronFlux module.



**Features:**

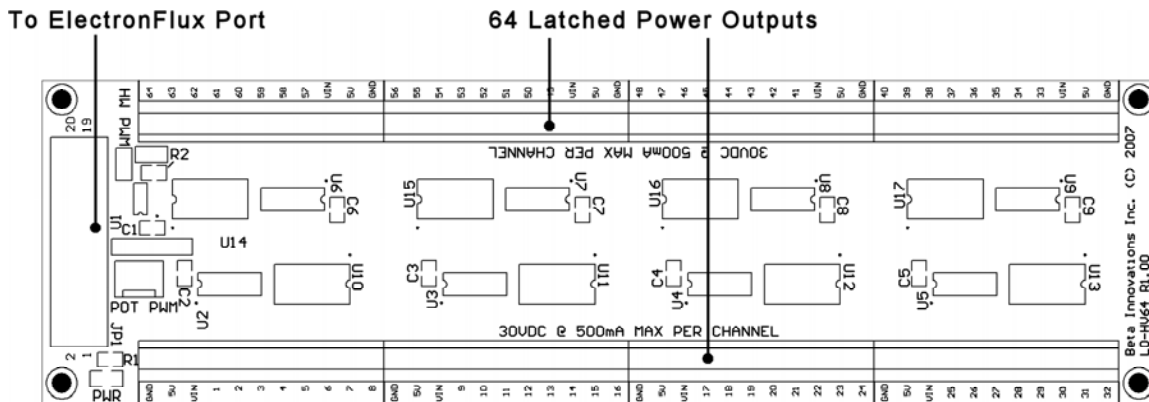
- 64 individually controlled output channels
- 8 Voltage groups
- 30VDC @ 500mA per channel
- Onboard 5VDC output
- Built-in Suppression Diodes for inductive loads

**Absolute Maximum Ratings:**

Channel	Max Rating per channel
1 - 64	500mA @ 30 VDC
1 - 64	500mA @ 5VDC (3A Total)

**Application:**

The LO-HV64 easily adds control of LEDs, lamps, magnetic switches, relays, and even heavy DC loads such as motors to the ElectronFlux module.



Visit [www.betainnovations.com](http://www.betainnovations.com) for the availability of expansion modules and accessories.