

Beta Innovations LO-LED64 Latched Output Card

The LO-LED64 Latched Output Card provides up to 64 TTL compatible outputs suitable for driving LEDs or digital circuitry through the ElectronFlux module.

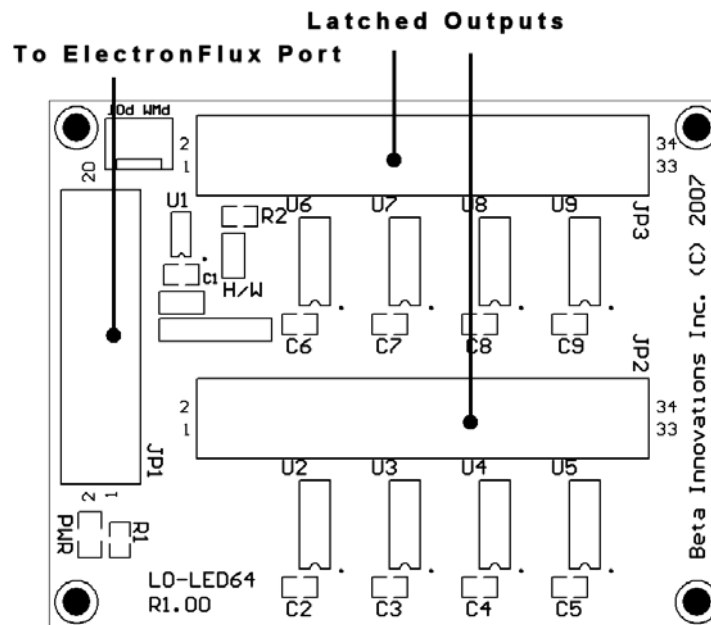
Features:

- 64 individually controlled outputs
- PWM brightness control
- TTL compatible outputs
- Source/Sink 35mA



Application:

The LO-LED64 easily adds control of LEDs to the ElectronFlux module.



Visit www.betainnovations.com for the availability of expansion modules and accessories.