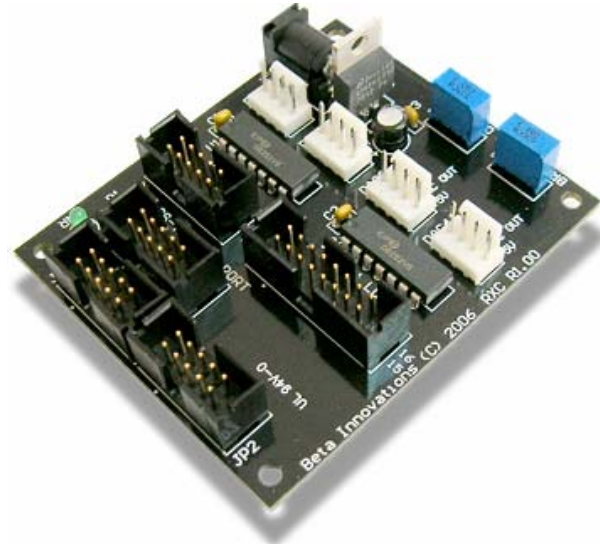
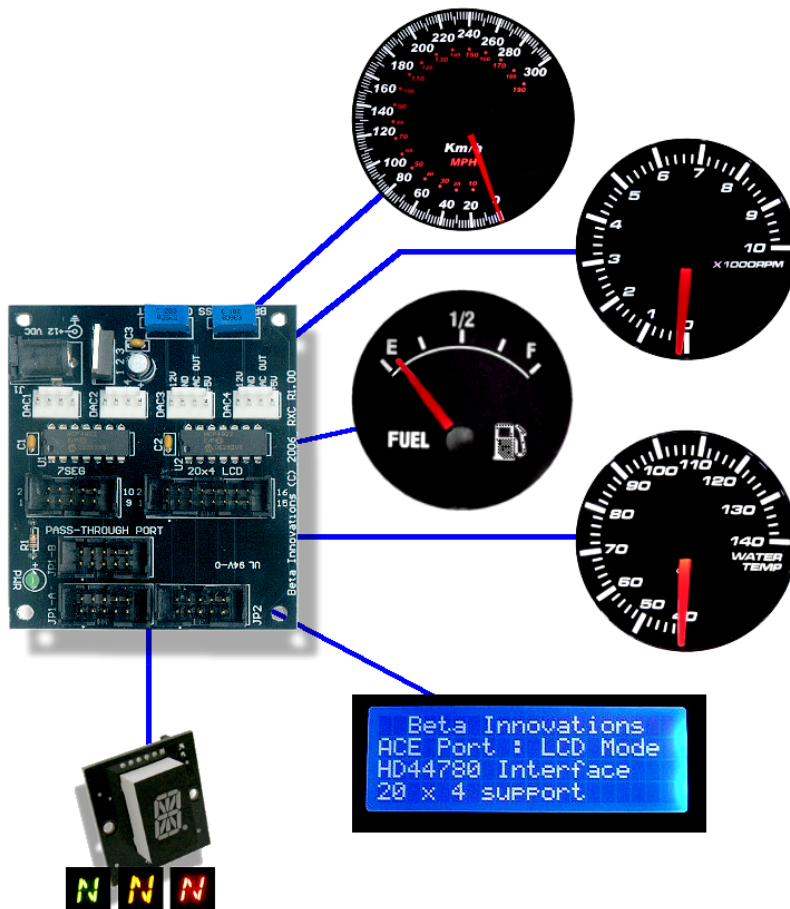


The RXC Expansion Card is designed to provide a rail to rail output voltage (0-5V) through the Plasma-Lite V2 module for controlling up to 4 gauges as well as simplifying wiring of a Shifter Display and 20x4 Character based LCD.



### Features:

- 4 individually controlled voltage output channels. 0 - 5VDC typ. @ 12-bit resolution.
- 5V and 12V output pins for use with Air-Core movement driver circuits (AC305A/B & AC360A/B/C).
- Brightness and Contrast controls for LCD.
- Shifter Display port (compatible with SD9 and standard 7-Segment displays).



## DAC Specifications:

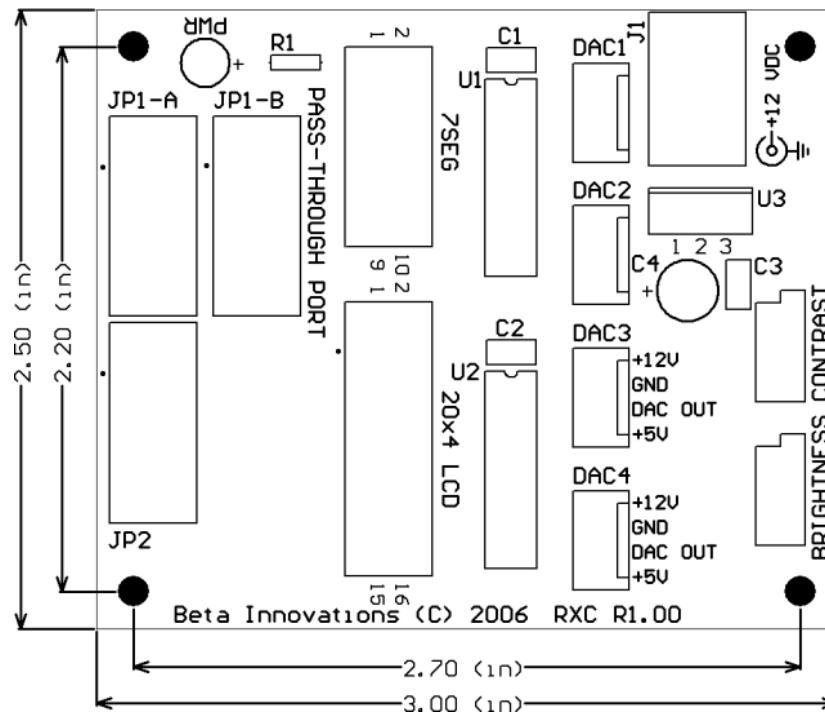
Output Characteristics	Units	Comments
Output Voltage Range	0 to VUSB	0 to 5V typ. min to max
Output Voltage Settling Time	4.5 $\mu$ s typ.	
Slew Rate	0.55 V/ $\mu$ s typ	
Digital Crosstalk	10 nV-s typ	
Analog Crosstalk	10 nV-s typ	
Output Current	15 mA typ	24 mA max

## Application:

The RXC output card is ideally suited for controlling up to 4 Air-Core Movement based gauges through the Plasma-Lite module. The Plasma-Lite ACE and HAT port must be configured accordingly for use with a shifter display, gauges or LCD support (refer to user manual for details).

When driving Air-Core movements requiring 12V power, the RXC can be connected to a suitable 12-15VDC adapter reducing wiring complexity as each connector provides a 12V pin for this purpose.

## Mechanical Specifications:



Visit [www.betainnovations.com](http://www.betainnovations.com) for the availability of expansion modules and accessories.